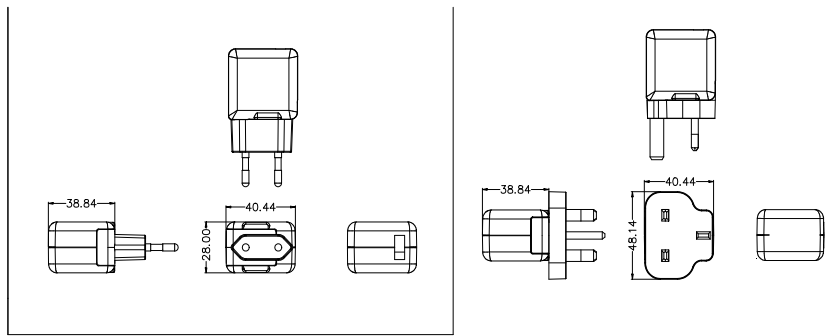


AC/DC Adapter 5W Series Wall Mount EP23 Series

(Product Display):

(Mechanical Spec):



(Product Highlights):

- ☑ (Low Energy Consumption)
CEC Level 5, Energy Star 2.0
- ☑ / (Ultra Small Size/Light Weight)
- ☑ LED , / , , , USB
Suit LED Lighting, Point Reading Machine/Pen, M.P, Display
or Photo Frame, Network and USB Devices etc.

(Safety Approvals):

- ☑ CCC
- ☑ CE ☑ GS ☑ BS
- ☑ UL/CUL ☑ FCC ☑ BSMI ☑ PSE
- ☑ KC/KCC

(Electrical Spec):

- ☑ / / (Input Voltage/Current/Frequency):
AC 100-240V (90-264V), 50/60Hz (47/63Hz), 0.15A Max.
- ☑ (Output Power): 5W
- ☑ (Output Voltage): 3-15V
- ☑ (Output Current): 0.1-1A
- ☑ (Load Regulation): ±5%
- ☑ (Hi-Pot Test): AC 3000V/1 Min/ 5mA
- ☑ (Insulation Resistance): DC 500V 100M
- ☑ (Efficiency): 68%MIN

(Reliability Test):

- ☑ (MTBF): 30000 hours @ 25
- ☑ DC (DC Jack Plug In/Out):
3000 , (No bad contact)
- ☑ ; 1 , 30mm ,
1 , (), .
Drop In: Single free drop from 1m to 30mm wood board,
apply one times on each surface, components are not
break off.
- ☑ (Burn-In Test): load, 2 hours
- ☑ / (Operating Temperature/Humidity):
-5 to 40 , 5% to 90% RH
- ☑ / (Storage Temperature/Humidity):
-20 to 70 , 5% to 95% RH

(Product Protection):

- ☑ (Short Circuit Protection)
- ☑ (Over Voltage Protection)
- ☑ (Over Current Protection)

(Packing Method):

- ☑ PE + (PE Bag+Carton)